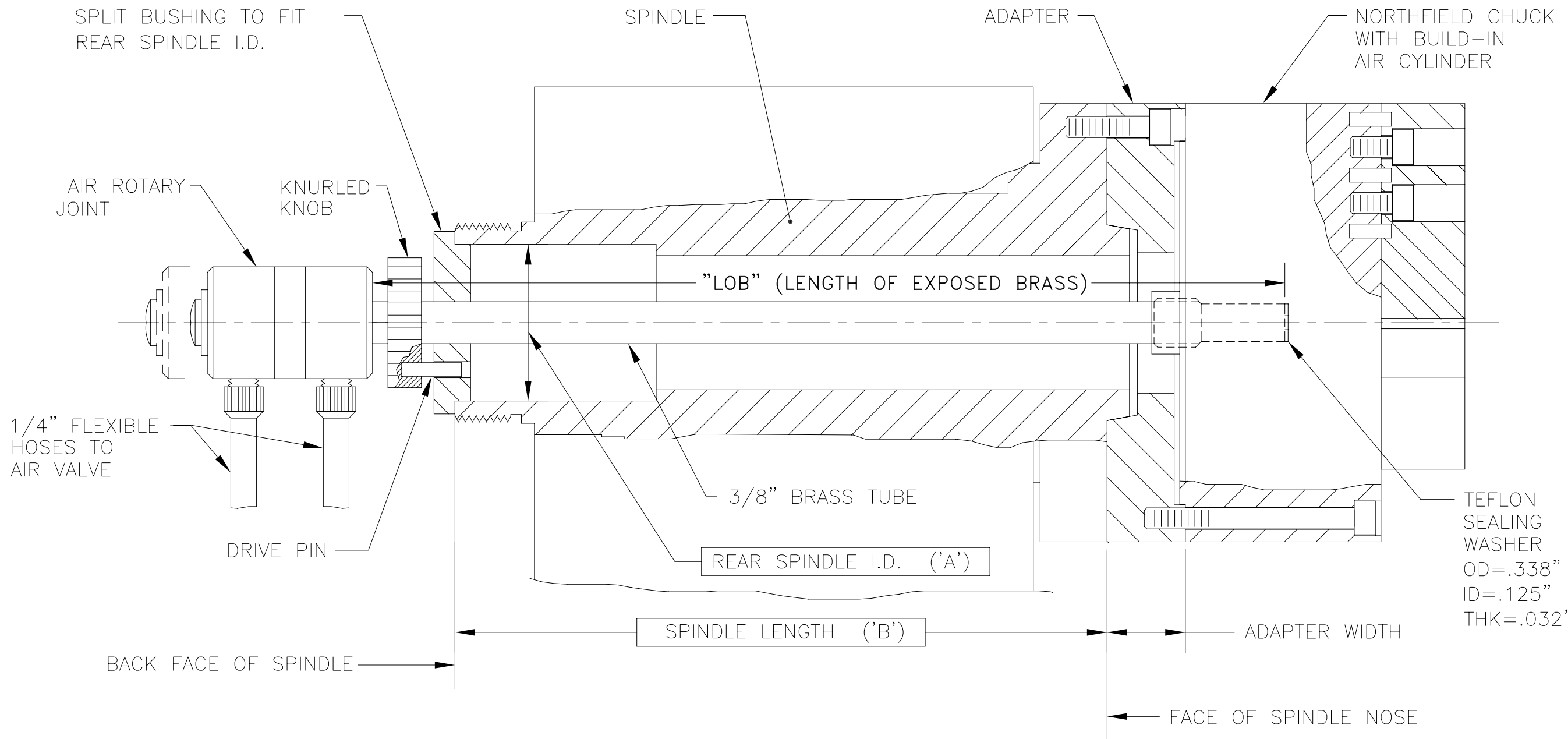


MOUNTING DRAWING of NORTHFIELD AIR CHUCK



'A' DIMENSION:  
ID AT REAR  
OF SPINDLE

'B' DIMENSION:  
SPINDLE LENGTH FROM  
FACE OF SPINDLE NOSE  
TO BACK FACE OF SPINDLE  
(NOT INCLUDING ADAPTER)

\*\*\* WE NEED 'A' & 'B' DIMENSIONS  
TO DETERMINE AIR TUBE LENGTH \*\*\*

NORTHFIELD: PROPRIETARY.  
ANY DISSEMINATION OF INFORMATION  
IN THIS PRINT IS PROHIBITED.